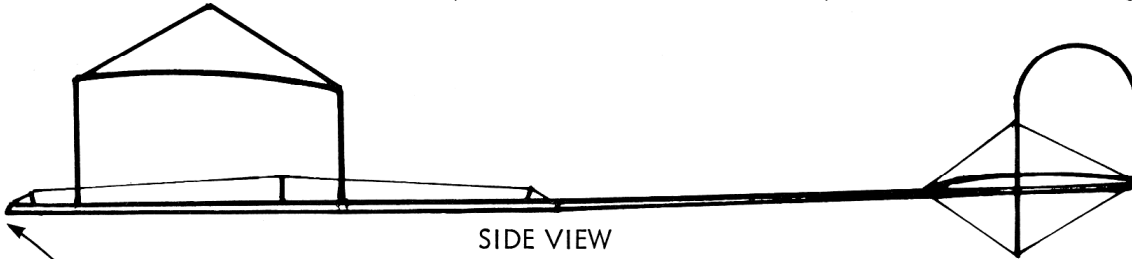


Free spirit holds the World Record for F1D category 1 (ceiling less than eight metres). A novel variable pitch prop is used. This was developed by Ron from original concept by Mike Thomas (infamous for various Wakefield, Open Rudder and Indoor designs).



SIDE VIEW

Propeller 22.25" dia., variable pitch
(see below)

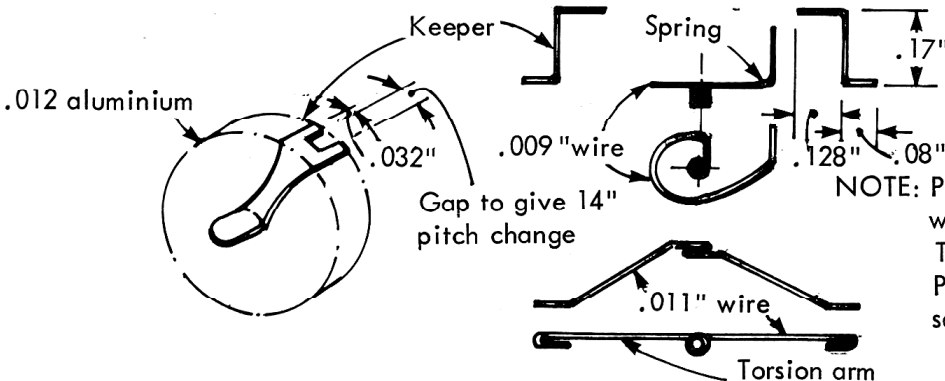
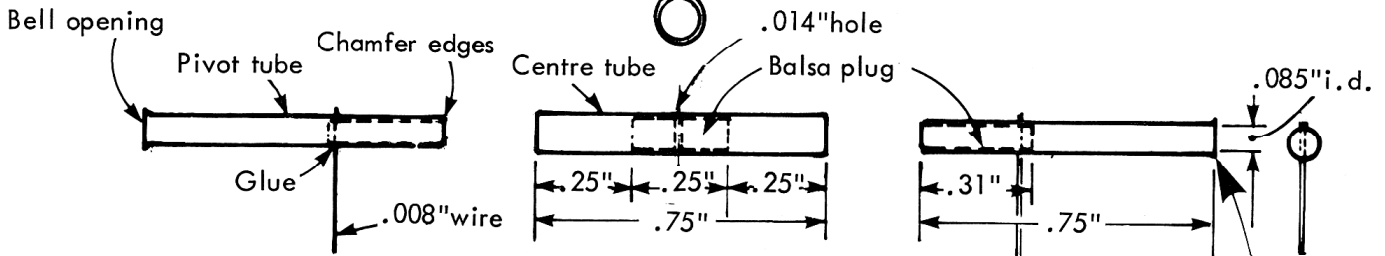
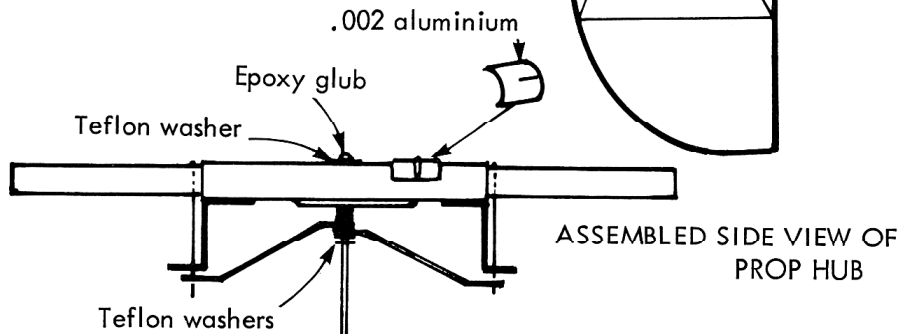
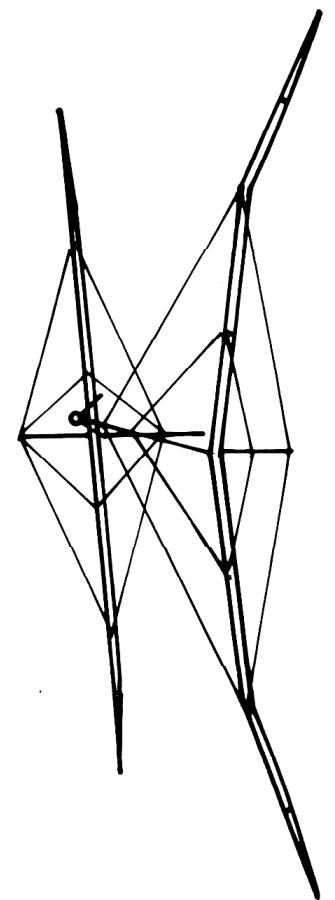
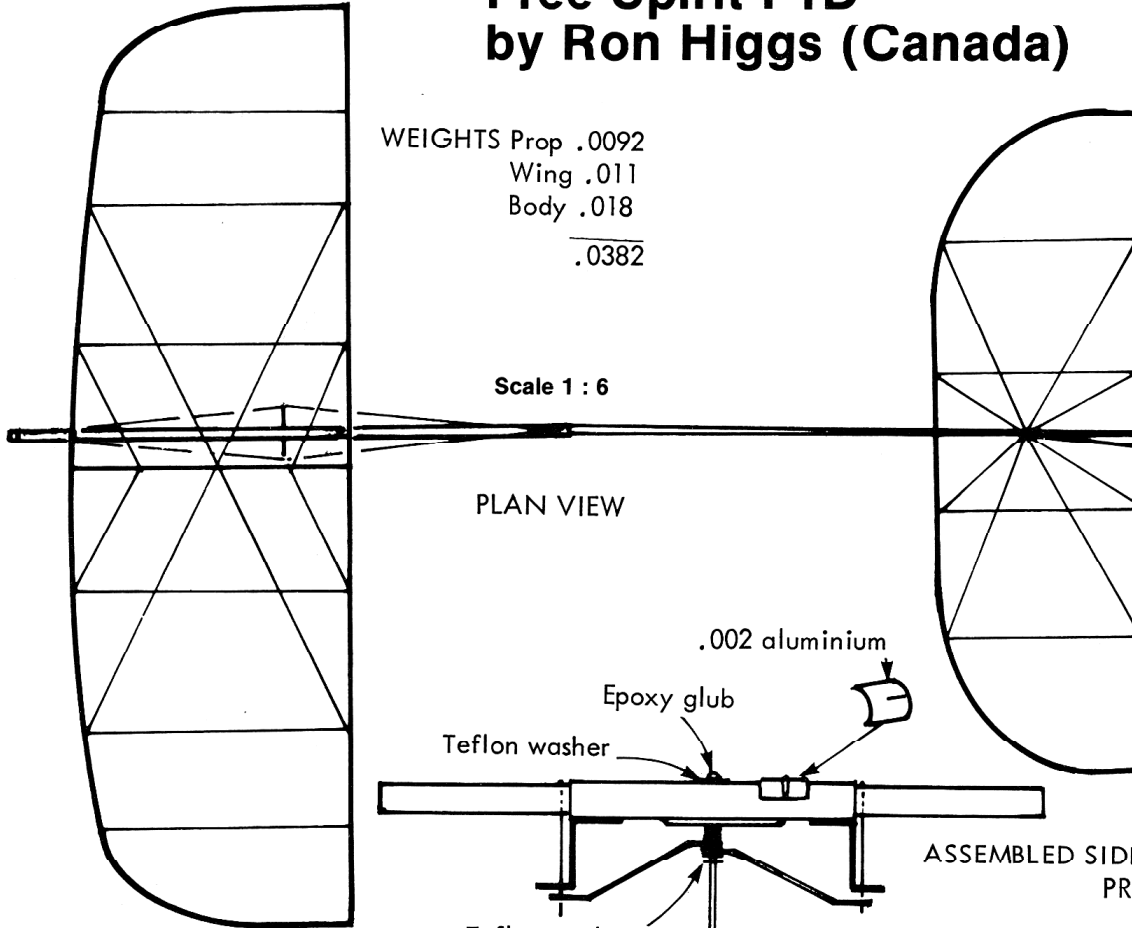
Free Spirit F1D by Ron Higgs (Canada)

WEIGHTS Prop .0092
Wing .011
Body .018

.0382

Scale 1 : 6

PLAN VIEW



NOTE: Pivot and centre tubes are .004" thick wall of paper.
Tubes to be a slip fit (without binding)
Prop shaft, torsion arm and spring are soldered together